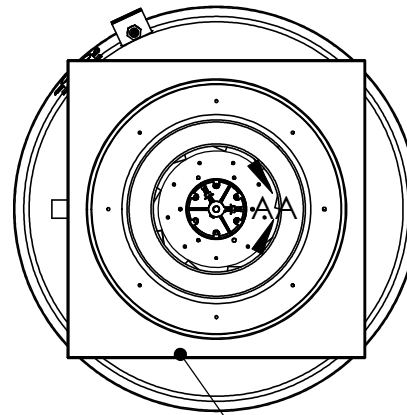


# Motor Replacement For Direct Drive Fans (Motors With Lugs)

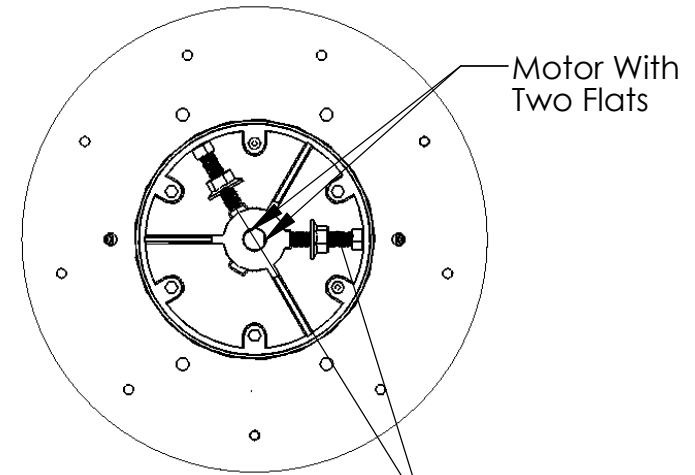
## Instructions:

1. Make sure that the power is disconnected from the fan.
2. Remove fan hood by releasing the hood retaining clips.
3. Disconnect the motor wire harness by unsnapping the quick release connection.
4. Tilt the fan back on hinged base. This will allow access to the set screws that hold the wheel onto the motor.
5. The motor shaft has been designed with two flat areas. This allows the set screws to secure the motor, and also prevent the motor shaft from getting stuck during removal from the fan. See detail AA.
6. The nuts that hold the set screws in place must be loosened first in order to loosen the set screws.
7. Loosen set screws.
8. Return the fan to its vertical position. (Non-Hinged)
9. Remove the nuts that secure the motor to the vibration isolators. See detail BA. (3/8 OD Nut, 10-32 Thread)
10. Remove the motor.
11. Mount the new motor. Secure the motor to vibration isolators with 10-32 lock nuts. Lock nuts must be serrated or have star washer. **\*DO NOT USE NYLON LOCK NUTS\***
12. When inserting the new motor the bottom face of the hub should be flush with the end of the shaft. Make sure that the set screws are over the flats on the motor shaft and lock tight is used before tightening the set screws. Torque set screws to 156 in-lbs. Remember to tighten the nuts as this will stop the set screws from backing out.
13. Make sure that the wheel spins freely and is centered over the inlet.
14. Reconnect the motor wire harness by snapping the quick release connections together.
15. Fan hood should be put on the unit, make sure the hood retaining clips are snapped shut.
16. Reconnect the power and test run unit.

Detail A



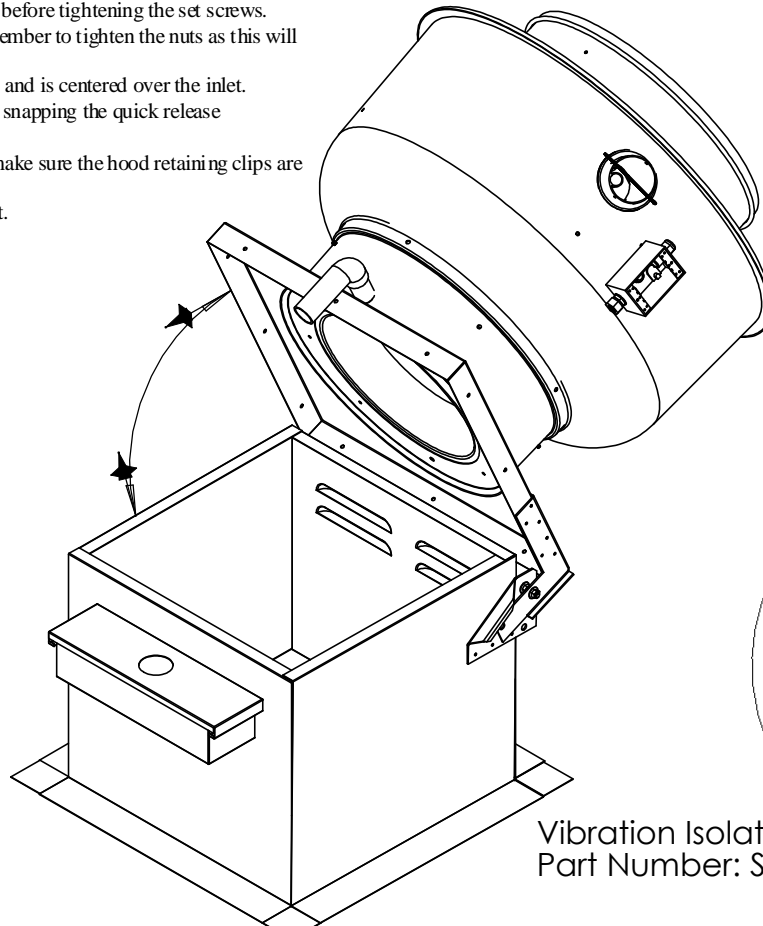
Bottom View of Unit



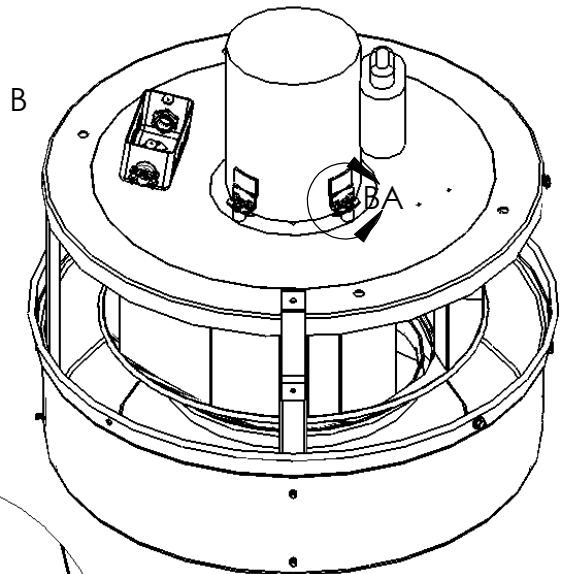
Motor With Two Flats

Set Screws

DETAIL AA  
SCALE 1 : 4

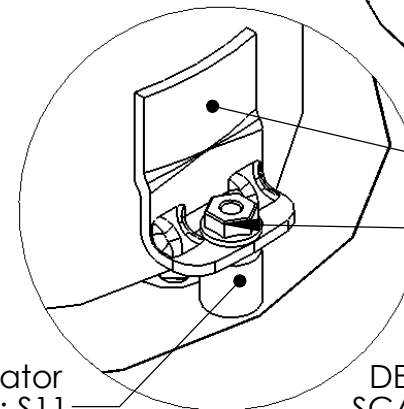


Detail B



Mounting Lug

3/8" OD,  
10-32 Thread  
Lock Nut  
Part Number: 90675A195



Vibration Isolator  
Part Number: S11

DETAIL BA  
SCALE 1 : 1.5